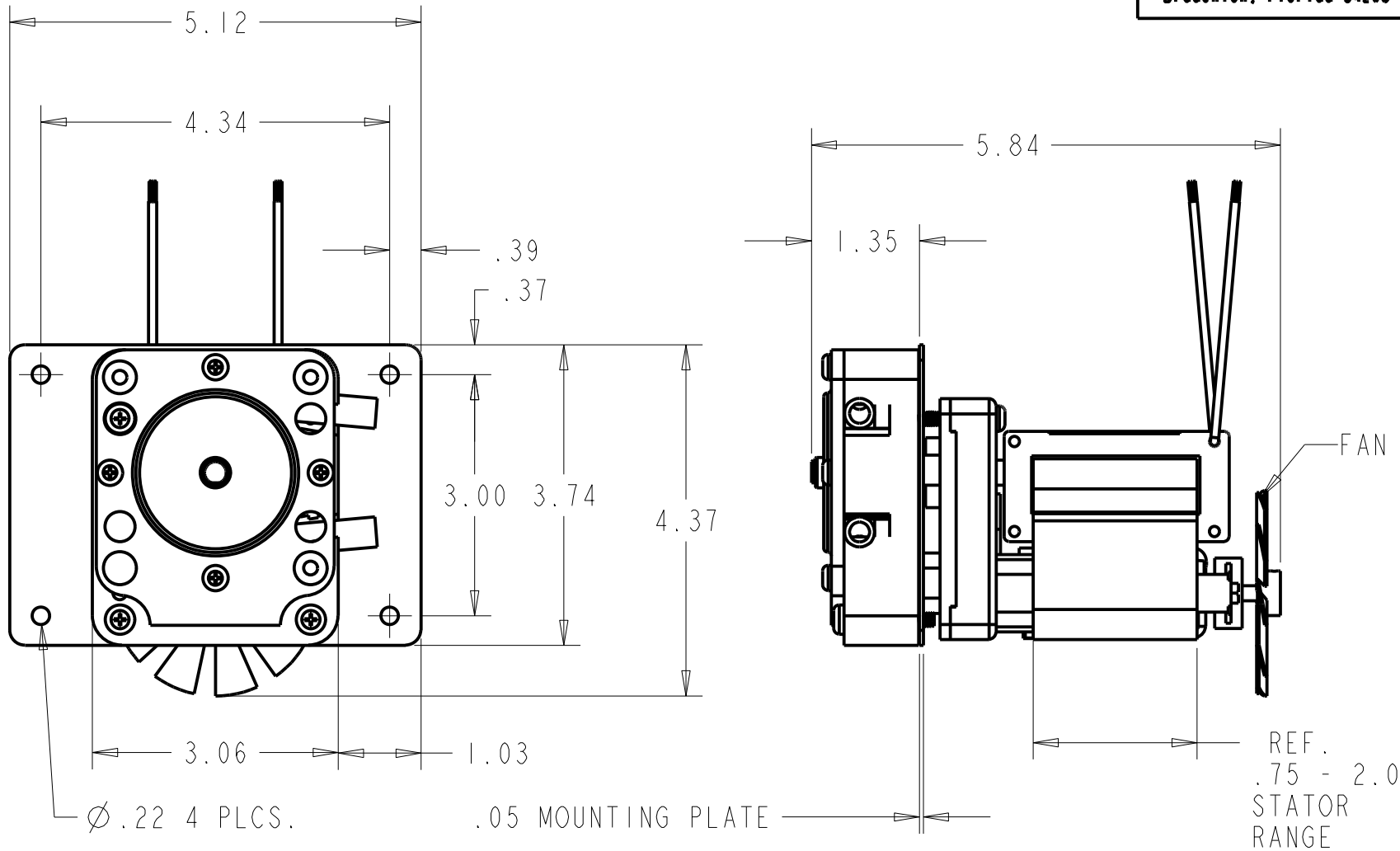


MODEL 800



3007 29th Ave East
Bradenton, Florida 34208

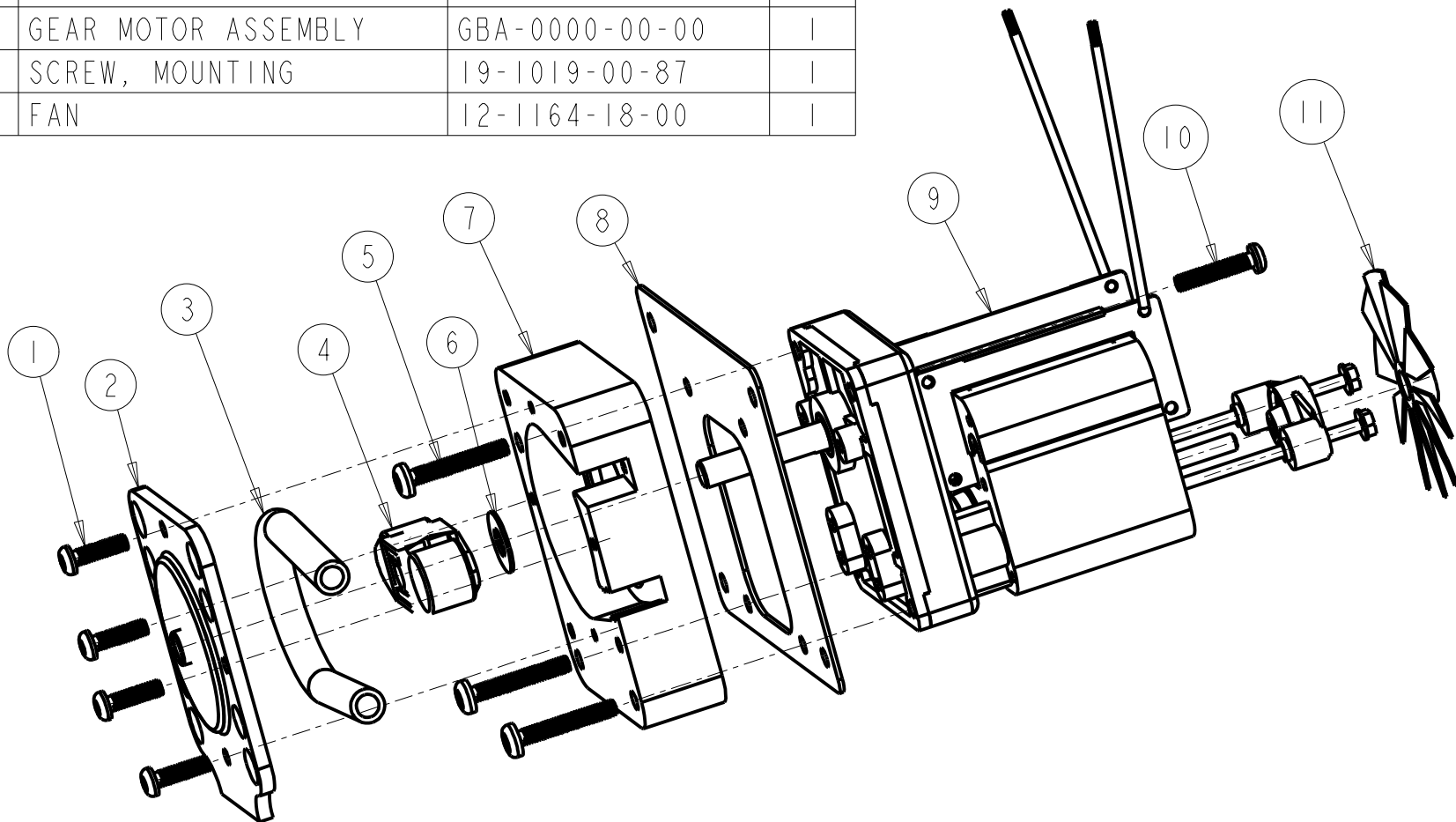


**DIMENSIONS FOR 800 / 907 SERIES PUMPS
DIMENSIONS ARE REFERENCE ONLY**

<i>ITEM</i>	<i>DESCRIPTION</i>	<i>PART NUMBER</i>	<i>QTY</i>
1	SCREW, PUMP COVER	19-1019-00-62	4
2	COVER, PUMP	12-1108-00-00	1
3	TUBING	TU-0000-00-00	1
4	ROLLER BRACKET ASSEMBLY	RBA-0000-00-00	1
5	SCREW, PUMP MOUNT	19-1018-01-25	3
6	PUMP	12-1101-04-00	1
7	SCREW, COVER	19-1018-01-25	4
8	MOUNTING BRACKET	12-1305-01-00	1
9	GEAR MOTOR ASSEMBLY	GBA-0000-00-00	1
10	SCREW, MOUNTING	19-1019-00-87	1
11	FAN	12-1164-18-00	1

MODEL 800

ANKO
 3007 29th Ave East
 Bradenton, Florida 34208



MODEL 800



3007 29th Ave East
Bradenton, Florida 34208

TECHNICAL DATA

ELECTRICAL: 115 VAC / 60 Hz., WITH 6" LEADS

MOTOR: SHADED POLE GEARMOTOR - WITH STAINLESS STEEL OUTPUT SHAFT

PUMP: POLYPROPYLENE WITH STAINLESS STEEL FASTENERS.

FLOW RATE: FIXED FLOW CONTINUOUS. FLOW RATE FROM 3 mL/min UP TO 987 mL/min, PER HEAD. SEE CHART FOR RPM AND FLOW RATE OPTIONS.

SUCTION LIFT: SELF - PRIMING UP TO 29ft. (8.8 m) CAN RUN DRY CONTINUOUSLY - NON SIPHONING

PRSSURE: UP TO 25 psi (1.7 Bar) CONTINUOUS, 40 PSI (2.7 Bar) INTERMITTENT.

FLUID CONTACTS: FLUID BEING PUMPED CONTACTS TUBING ONLY

MOUNTING: BK RACKET INCLUDED SEE DRAWING FOR DIMENSIONS

DIMENSIONS: SEE OUTLINE DRAWING

WEIGHT: SEE CHART

OPTIONS: 24 TO 240 VAC 50Hz, 60Hz OR 50/60 Hz, 12 AND 24 VDC

MODEL 800
 3007 29th Ave East
 Bradenton, Florida 34208
FLOW RATES FOR 800 / 907 SERIES PUMPS

SERIES: NUMBER	FLOW RATE ml/min TUBING I/D: INCH (mm)				AMPS	WEIGHT lbs. (kg)
	\varnothing .062 (1.6)	\varnothing .125 (3.2)	\varnothing .187 (4.9)	\varnothing .250 (6.3)		
907-002	0.4	1.7	4	7	0.37	2.3 (1.05k)
907-007	1.5	5.9	14	25	0.37	2.3 (1.05k)
907-014	3.0	12.0	28	48	0.37	2.6 (1.18k)
907-023	5.0	19.0	46	81	0.42	2.7 (1.23k)
907-028	6.0	24.0	56	98	0.75	2.7 (1.23k)
907-036	8.0	30.0	72	126	0.90	2.7 (1.23k)
907-049	10.0	41.0	98	172	1.0	2.8 (1.27k)
907-058	12.0	49.0	116	208	1.2	2.8 (1.27k)
907-075	16.0	63.0	150	263	1.5	3.5 (1.59k)
907-108	23.0	91.0	216	378	1.9	3.7 (1.68k)
907-129	27.0	108.0	258	452	2.2	3.7 (1.68k)
907-172	36.0	144.0	344	602	2.2	3.7 (1.68k)
907-203	43.0	170.0	406	711	3.3/2.2	4.1 (1.86k)
907-282	60.0	237.0	564	987	3.3/2.2	4.1 (1.86k)

WARNING:

ANKO PRODUCTS ASSUMES NO RESPONSIBILITY OR LIABILITY FOR CHEMICAL COMPATIBILITY OF OUR TUBING OR PUMPS IN SPECIFIC APPLICATION ALWAYS PRETEST TUBING IN ACCORDANCE WITH TUBING MANUFACTURES SPECIFICATIONS. TUBING THAT SHOWS SIGNS OF SWELLING, EMBRITTLEMENT OR OTHER DETERIORATION SHOULD NOT BE USED