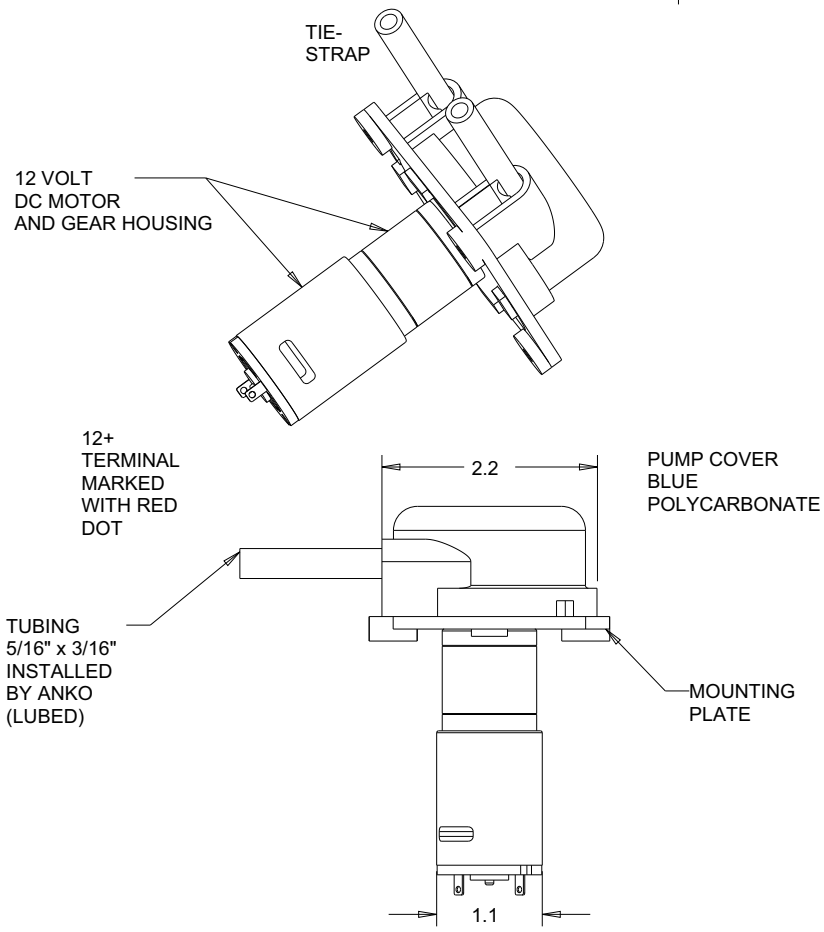
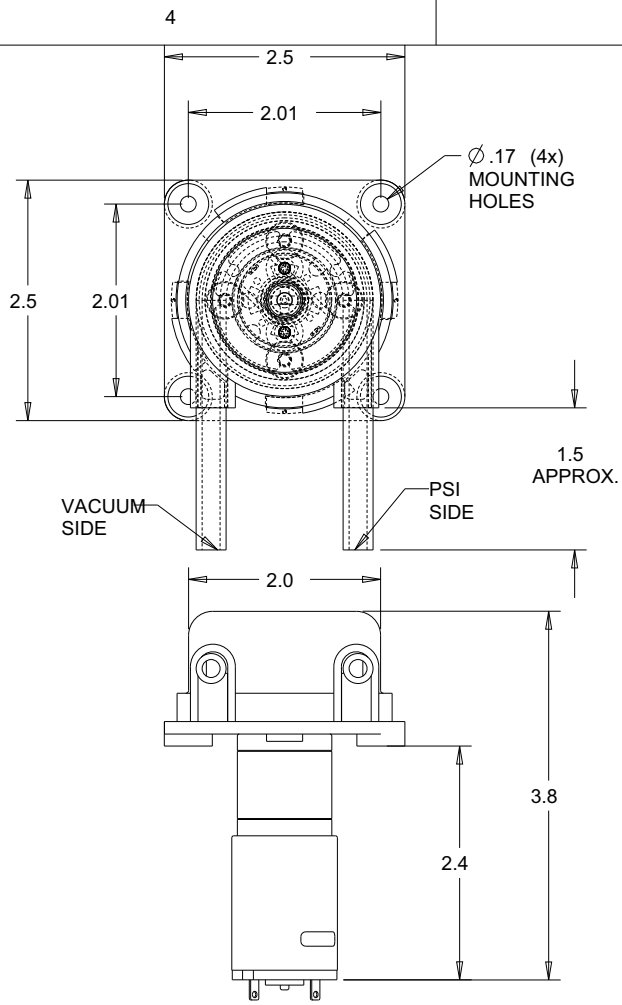


REVISIONS			
REV	DESCRIPTION	DATE	APPROVAL



**OPERATING SPECIFICATIONS:**

1. INPUT VOLTAGE 12.00 +/- .1 V.D.C.
2. OPERATING TEMPERATURE: 20 °C TO 60 °C
3. MAXIMUM CURRENT DRAW: .35 AMP START, .20 AMP RUNNING
4. FLOW RATE: 30 +/-2ml/min AT 12.00 V.D.C.
5. MAXIMUM PSI: 25 PSI AT 12.00 V.D.C.
6. MAXIMUM VACUUM: 20 in/Hg AT 12.00 V.D.C.
7. CW ROTATION
8. PUMP TUBE TO BE:
  - A) NORPRENE BLACK, SANOPRENE OR FOOD GRADE NORPRENE
  - B) 5/16" OD x 3/16" ID
  - C) FORMULATION A-60-G, A-60-F
9. LABEL WITH ANKO PART NUMBER AND DATE CODE APPLIED TO OUTER HOUSING.
10. DIMENSIONS ARE REF. ONLY
11. ANKO USES FDA APPROVED LUBRICANT IN THE PUMP HOUSING

**PRODUCT SPECIFICATION:  
MITYFLEX SERIES 850**

UNSPECIFIED TOLERANCES XXX = 0.01 XXX = 0.010 XXXX = 0.005 ANGLE = 0#1	<b>ANKO</b> 3007 29th Ave. E Bradenton Fl 34208	
	TITLE BLOCK	
DO NOT SCALE DRAWING		
MATERIAL		
DRAWN	DATE	PART NUMBER
SOSSAMON 7/6/2011		850-12-25-00
		REV